

CELEBRATE EVERY DAY...

**THE SMALL  
VICTORIES ARE  
WHAT KEEPS  
YOU ON TOP.**

IF YOU DO NOTHING ELSE...

**TRY TO KEEP  
YOUR GLASS  
AT LEAST  
“HALF FULL.”**

## CANS & BOTTLES

*In order from light to dark with the exception of ThirSTAY*

Peabody Heights ThirSTAY   Pale Ale   Balt.	6.0%	\$5
Stiegl Radler   Fruit beer w/ grapefruit   Austria   16oz	2.5%	\$7
Wyndridge Crafty Cider   Dry Cider   PA	5.5%	\$6
Charm City Meadworks Basil Lemongrass   Draft Mead   Balt.	6.9%	\$9
Jack's Hard Pear Cider   Pear Cider   PA	5.5%	\$7
Graft Lost Tropic   Dry-hopped sour cider   NY	6.9%	\$9
Union Craft Old Pro   Gose   Balt.	4.2%	\$7
Peak Organic Ginger Mule   Cider Highball   ME   16oz	6.9%	\$10
Dogfish Head Seaquench   Gose/Session Sour   DE	4.9%	\$7
Stillwater Extra Dry   Sake-style Saison Ale   MD   16oz	4.2%	\$9
Harpoon UFO White   Witbier   MA	4.8%	\$6
Burley Oak Sorry Chicky   Dry-Hopped Sour Ale   MD	4.4%	\$9
Natty Boh   Lager   CA by way of Baltimore   16oz	4.3%	\$5
Port City Brewing Optimal Wit   Witbier   VA	4.9%	\$7
Flying Dog Bleacher Beer   Lager   MD	4.6%	\$7
RAR Groove City   Hefeweizen   MD	5.2%	\$7
10 Barrel Pub Beer   Pale Lager   OR	5.0%	\$6
DC Brau Pride Pils   Pilsner   DC	4.5%	\$7
Terrapin Recreation Ale   American Pale Ale   GA	4.7%	\$6
Monument City Penchant Pils   German Pilsner   Balt.	4.5%	\$7
Brewers Art Penguin Pils   Pilsner   Balt.   16oz	4.5%	\$9
Cpt. Lawrence Effortless   Session IPA w/ Grapefruit   NY	4.5%	\$7
Brooklyn Summer Ale   English Pale Ale   NY	5.0%	\$7
Union Craft Duckpin   American Pale Ale   Balt.   16oz	5.5%	\$8
Ommegang Hennepin   Belgian Saison   NY   750ml	7.7%	\$26
Brewers Art Birdhouse   Belgian Pale Ale   Balt.	5.0%	\$7
Narragansett Lager   Lager   RI   16oz	5.0%	\$5
Ommegang Pale Sour Ale   Belgian Pale Sour Ale   NY	6.9%	\$10

## WINES

### WHITE

**Vinho Verde - Quinta da Calcada**  
Minho, Portugal | Glass \$8 | Bottle \$32

**Riesling - The Seeker**  
Mosel, Germany | Glass \$12 | Bottle \$48

**Sauvignon Blanc - Kim Crawford**  
Marlborough, New Zealand | Glass \$15 | Bottle \$60

### ROSE

**Rosato (Barbera, Moscato, Favorita) - Cantine Elvio Tintero**  
Piedmont, Italy | Glass \$10 | Bottle \$40

**Vinho Verde Rose - Calcada**  
Minho, Portugal | Glass \$9 | Bottle \$36

### RED

**Cotes du Rousillon (Carignan, Grenache, Syrah) - Altitudes**  
Languedoc-Rousillon, France | Glass \$8 | Bottle \$32

**Red Blend - Lone Birch**  
Yakima Valley, Washington | Glass \$10 | Bottle \$40

**Pinot Noir - Carmel Road**  
Monterey, California | Glass \$13 | Bottle \$52

### BUBBLES

**Vermentino Spumante Brut - Santa Maria la Palma**  
Sardinia, Italy | Glass \$10 | Bottle \$40

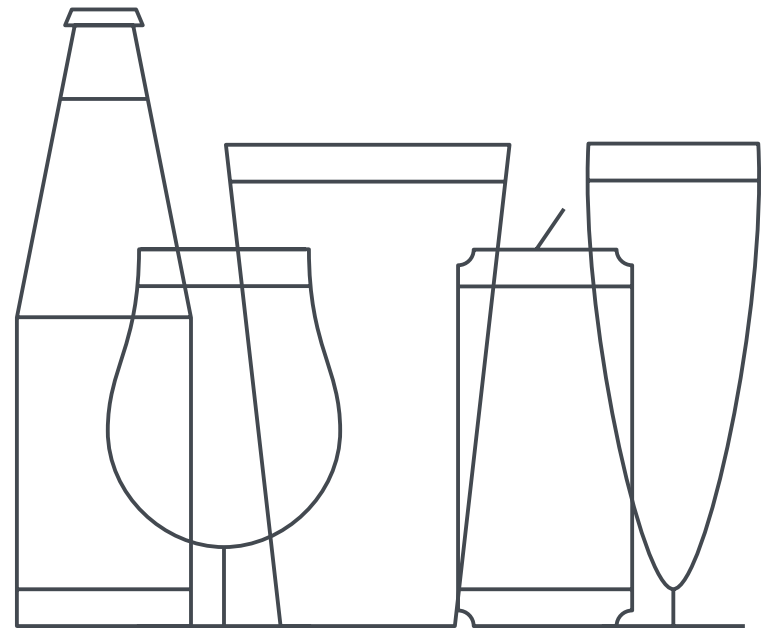
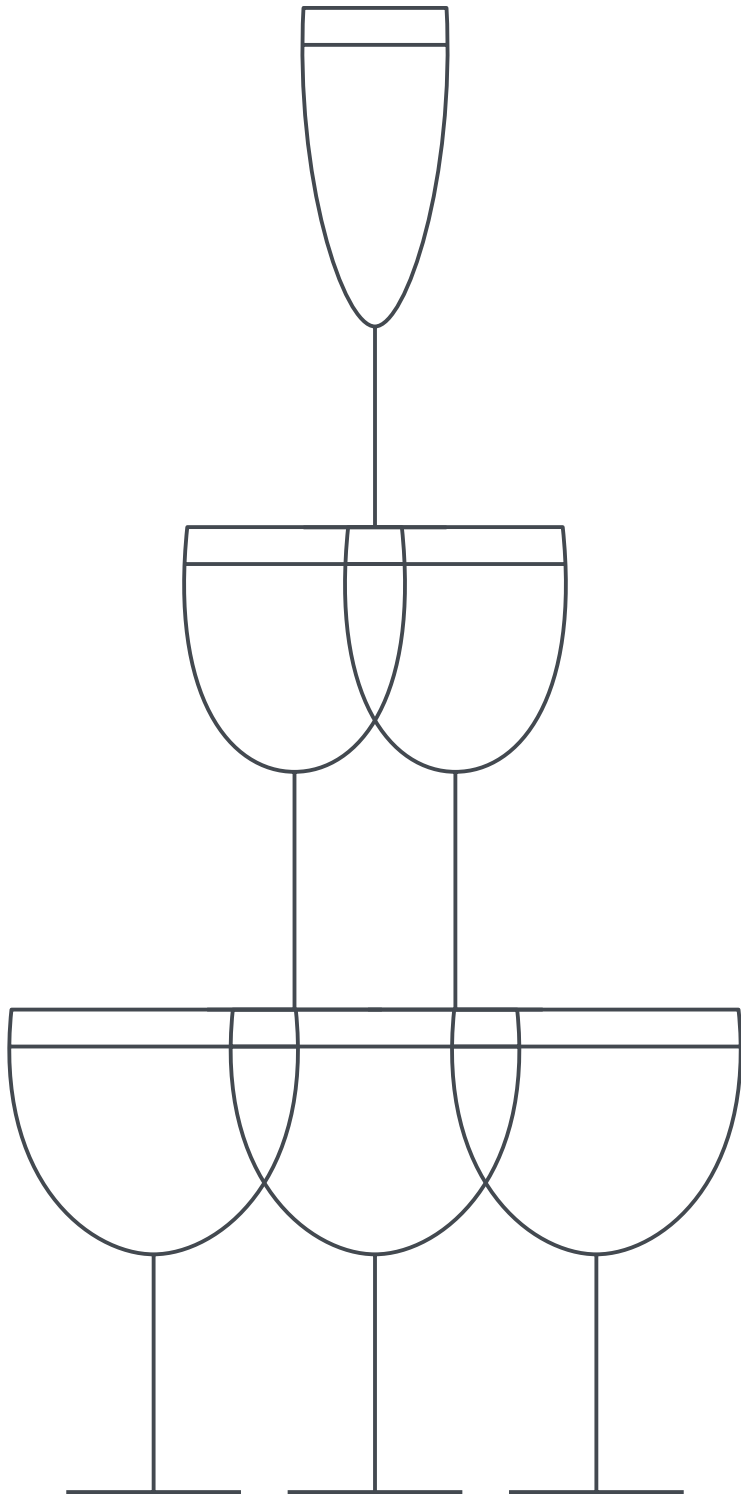
**Cava Brut - Avinyo**  
Catalonia, Spain | Glass \$11 | Bottle \$44

**Brut Rose - Gratien and Meyer**  
Loire Valley, France | Glass \$13 | Bottle \$52

## CANS & BOTTLES CONT.

*In order from light to dark with the exception of ThirstAY*

Dogfish Head Lupu-Luau   American IPA w/ coconut   DE	7.3%	\$8
Black Flag Flagship   American IPA   MD	6.6%	\$7
Pacifico   Lager   Mexico	4.5%	\$5
EVO Exile Red   American Amber/Red Ale   MD	5.9%	\$6
DC Brau The Corruption   American IPA   DC	6.5%	\$7
Monument City 51 Rye   American IPA   Balt.	6.5%	\$7
Brewers Art Green Peppercorn Tripel   Belgian Tripel   Balt.	9.2%	\$8
New Belgium Voodoo Ranger Imperial   Imperial IPA   NC	9.0%	\$8
Union Craft Blackwing   Schwarzbier   Balt.	4.9%	\$7
Dogfish Head Bitches Brew   Imperial Stout w/ honey   DE	9.0%	\$11
Three Stars Southern Belle   Imperial Brown Ale   DC	8.7%	\$7
Antietam Lil Ben's Milk Stout   Milk/Sweet Stout   MD	5.2%	\$7
Black Flag Brunch   Imperial Stout   MD	7.9%	\$10
DC Brau Penn Quarter Porter   American Porter   DC	5.5%	\$7



## BOILERMAKERS

*Local Craft Breweries paired with tiny cocktails \$13*

### Bring Me a Shrubbery!

Union Craft Old Pro Gose  
+  
a Bramble  
(Beefeater gin, fruits rouge,  
lemon)

### Some Like It Caliente

Pacifico  
+  
Illegal Reposado, house cucumber  
cordial, lime shrub  
(Hot Sauce for the brave)

### Under the Bleachers

Flying Dog Bleacher Beer (16oz)  
+  
a Hanky Panky  
(Tanqueray gin, sweet vermouth,  
Fernet Branca)

### Coal Miner's Daughter

Monument City 51 Rye IPA  
+  
a Gold Rush  
(George Dickel Rye, hopped  
honey, lemon shrub)

### How to Tame a Fox

Wyndridge Crafty Cider  
+  
a Jack Rose  
(Baltimore Whiskey Co. Fumus  
Pumila, lemon shrub, grenadine,  
Yellow Chartreuse)

### Penguin Suit

Brewer's Art Penguin Pils (16oz)  
+  
Wild Turkey 101, creme de  
cassis, rhubarb bitters

## COCKTAILS

*All house-made cocktails \$13*

### Ride It Like You Stole It

Bourbon, sweet vermouth, St. George Bruto Americano,  
house grapefruit shrub, bitters

### The Peacemaker

Vida mezcal, amaro, pamplemousse, blanco tequila, Shrub District  
lime shrub, hopped honey, Chef's hot sauce

### Damn, Shandi Needs a Parasol!

Vodka, VSOP cognac, Shrub District pineapple-allspice shrub,  
amaro, lemon, ThirStay

### Hopped and Dandied

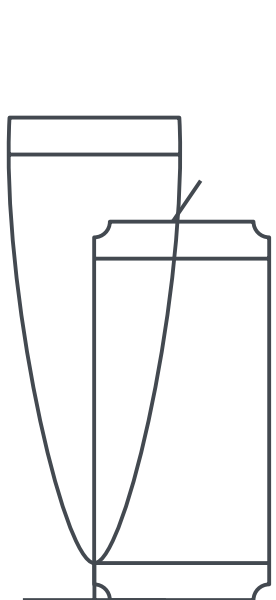
St. George Botanivore gin, house Hopped and Dandied dry vermouth,  
Genepy des Alpes, dry curacao

### Bop Down to Rio

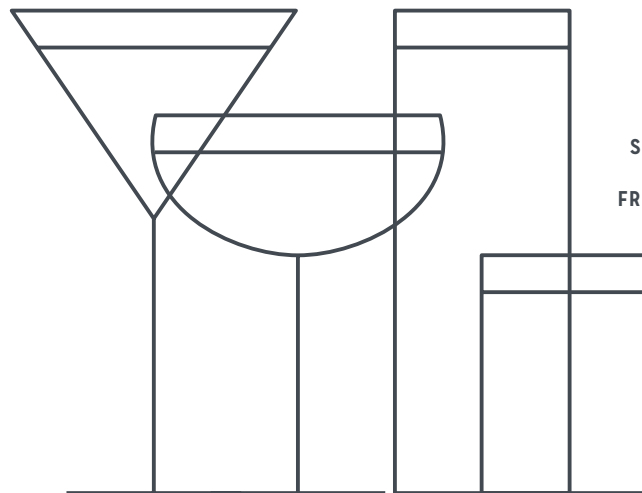
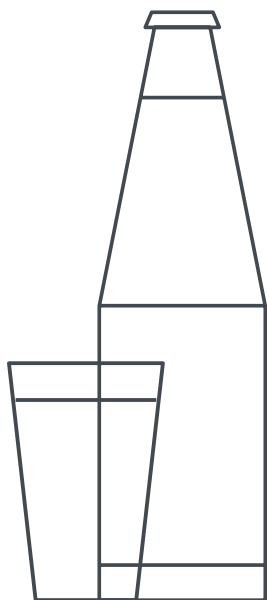
Avua Amburana cachaca, Don Q Coco, Shrub District lime shrub,  
orgeat, brown sugar peach syrup, egg white, soda

### Melon DeGeneres

Bimini hopped gin, sour watermelon, Plymouth sloe gin, Aperol,  
basil drizzle



KINDRED  
SPIRITS  
STICK  
TOGETHER



SIP & SAVOR  
THE VIEW  
FROM UP HERE