

CELEBRATE EVERY DAY...

**THE SMALL
VICTORIES ARE
WHAT KEEPS
YOU ON TOP.**

IF YOU DO NOTHING ELSE...

**TRY TO KEEP
YOUR GLASS
AT LEAST
“HALF FULL.”**

CANS & BOTTLES

In order from light to dark with the exception of ThirSTAY

Peabody Heights ThirSTAY Pale Ale Balt.	6.0%	\$5
Stiegl Radler Fruit beer w/ grapefruit Austria 16oz	2.5%	\$7
Wyndridge Crafty Cider Dry Cider PA	5.5%	\$6
Charm City Meadworks Basil Lemongrass Draft Mead Balt.	6.9%	\$9
Graft Lost Tropic Dry-hopped sour cider NY	6.9%	\$9
Union Craft Old Pro Gose Balt.	4.2%	\$7
Peak Organic Ginger Mule Cider Highball ME 16oz	6.9%	\$10
Dogfish Head Seaquench Gose/Session Sour DE	4.9%	\$7
Graft Salt and Sand Gose Margarita Cider NY	6.9%	\$9
Stillwater Extra Dry Sake-style Saison Ale MD 16oz	4.2%	\$9
Harpoon UFO White Witbier MA	4.8%	\$6
Burley Oak Sorry Chicky Dry-Hopped Sour Ale MD	4.4%	\$9
Natty Boh Lager CA by way of Baltimore 16oz	4.3%	\$5
Flying Dog Bleacher Beer Lager MD	4.6%	\$7
RAR Groove City Hefeweizen MD	5.2%	\$7
10 Barrel Pub Beer Pale Lager OR	5.0%	\$6
DC Brau Pride Pils Pilsner DC	4.5%	\$7
Terrapin RecreationAle American Pale Ale GA	4.7%	\$6
Monument City Penchant Pils German Pilsner Balt.	4.5%	\$7
Brewers Art Penguin Pils Pilsner Balt. 16oz	4.5%	\$9
Key Brewing Chesapeake Common Lager Balt.	4.8%	\$7
Cpt. Lawrence Effortless Session IPA w/ Grapefruit NY	4.5%	\$7
Brooklyn Summer Ale English Pale Ale NY	5.0%	\$7
Union Craft Duckpin American Pale Ale Balt. 16oz	5.5%	\$8
Ommegang Hennepin Belgian Saison NY 750ml	7.7%	\$26
Narragansett Lager Lager RI 16oz	5.0%	\$5
New Belgium Citradelic Tangerine IPA NC	6.0%	\$6
Dogfish Head Lupu-Luau American IPA w/ coconut DE	7.3%	\$8
Black Flag Flagship American IPA MD	6.6%	\$7

WINES

WHITE

Vinho Verde - Quinta da Calcada
Minho, Portugal | Glass \$8 | Bottle \$32

Riesling - Lone Birch
Yakima Valley, Washington | Glass \$10 | Bottle \$40

Pedro Ximenez - Mayu
Elqui Valley, Chile | Glass \$12 | Bottle \$48

ROSE

Rosato (Barbera, Moscato, Favorita) - Cantine Elvio Tintero
Piedmont, Italy | Glass \$10 | Bottle \$40

Vinho Verde Rose - Calcada
Minho, Portugal | Glass \$9 | Bottle \$36

RED

Cotes du Rousillon (Carignan, Grenache, Syrah) - Altitudes
Languedoc-Rousillon, France | Glass \$8 | Bottle \$32

Red Blend - Lone Birch
Yakima Valley, Washington | Glass \$10 | Bottle \$40

Lambrusco - Fiorini
Modena, Italy | Glass \$11 | Bottle \$44

BUBBLES

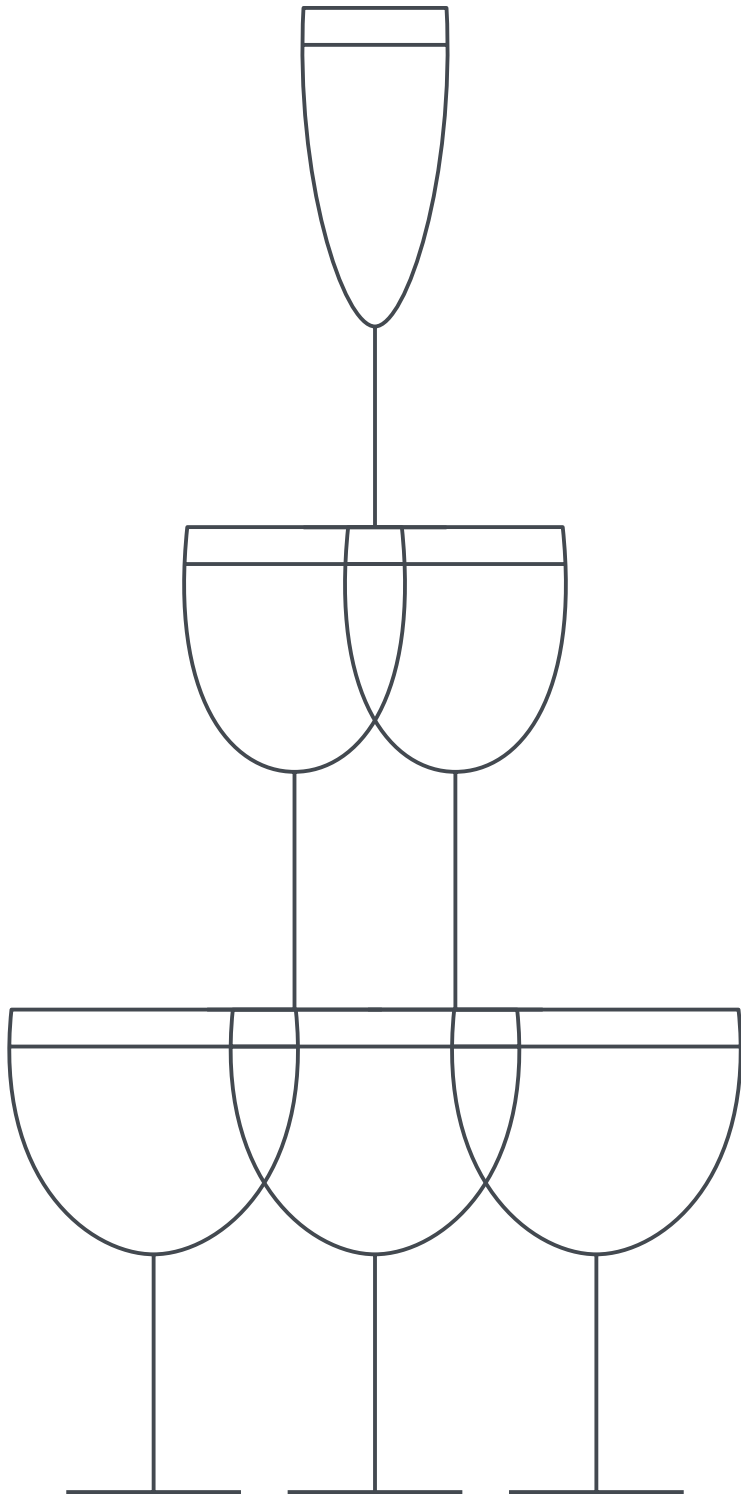
Vermentino Spumante Brut - Santa Maria la Palma
Sardinia, Italy | Glass \$10 | Bottle \$40

Cava Brut - Avinyo
Catalonia, Spain | Glass \$11 | Bottle \$44

CANS & BOTTLES CONT.

In order from light to dark with the exception of ThirstAY

Pacifico Lager Mexico	4.5%	\$5
EVO Exile Red American Amber/Red Ale MD	5.9%	\$6
DC Brau The Corruption American IPA DC	6.5%	\$7
Monument City 51 Rye American IPA Balt.	6.5%	\$7
Capt. Lawrence Powder Dreams IPA dry-hopped w/ lupulin NY 16oz	6.5%	\$12
Bells Sparkleberry Tripel infused with Raspberry MI 16oz	9.0%	\$11
Monument City Brown Ale American Brown Ale Balt.	6.0%	\$7
New Belgium Voodoo Ranger Imperial Imperial IPA NC	9.0%	\$8
Union Craft Blackwing Schwarzbier Balt.	4.9%	\$7
Dogfish Head Bitches Brew Imperial Stout w/ honey DE	9.0%	\$11
Antietam Lil Ben's Milk Stout Milk/Sweet Stout MD	5.2%	\$7
3 Stars Southern Belle Imperial Brown Ale DC	8.7%	\$7
DC Brau Penn Quarter Porter American Porter DC	5.5%	\$7



BOILERMAKERS

Local Craft Breweries paired with tiny cocktails \$13

Bring Me a Shrubbery!

Union Craft Old Pro Gose
+
a Bramble
(Beefeater gin, fruits rouge,
lemon)

Some Like It Caliente

Pacifico
+
Illegal Reposado, house cucumber
cordial, lime shrub
(Hot Sauce for the brave)

Under the Bleachers

Flying Dog Bleacher Beer (16oz)
+
a Hanky Panky
(Tanqueray gin, sweet vermouth,
Fernet Branca)

Coal Miner's Daughter

Monument City 51 Rye IPA
+
a Gold Rush
(George Dickel Rye, hopped
honey, lemon shrub)

How to Tame a Fox

Wyndridge Crafty Cider
+
a Jack Rose
(Baltimore Whiskey Co. Fumus
Pumila, lemon shrub, grenadine,
Yellow Chartreuse)

Penguin Suit

Brewer's Art Penguin Pils (16oz)
+
Wild Turkey 101, creme de
cassis, rhubarb bitters

COCKTAILS

All house-made cocktails \$13

Ride It Like You Stole It

Bourbon, sweet vermouth, St. George Bruto Americano,
house grapefruit shrub, bitters

The Peacemaker

Vida mezcal, amaro, pamplemousse, blanco tequila, Shrub District
lime shrub, hopped honey, Chef's hot sauce

Damn, Shandi Needs a Parasol!

Vodka, VSOP cognac, Shrub District pineapple-allspice shrub,
amaro, lemon, ThirStay

Hopped and Dandied

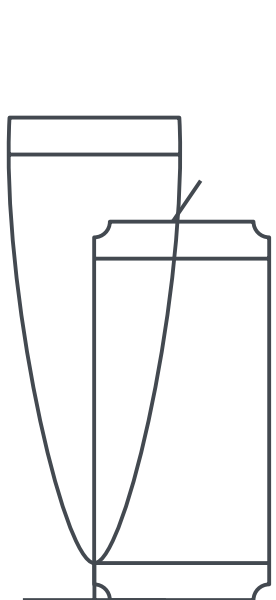
St. George Botanivore gin, house Hopped and Dandied dry vermouth,
Genepy des Alpes, dry curacao

Bop Down to Rio

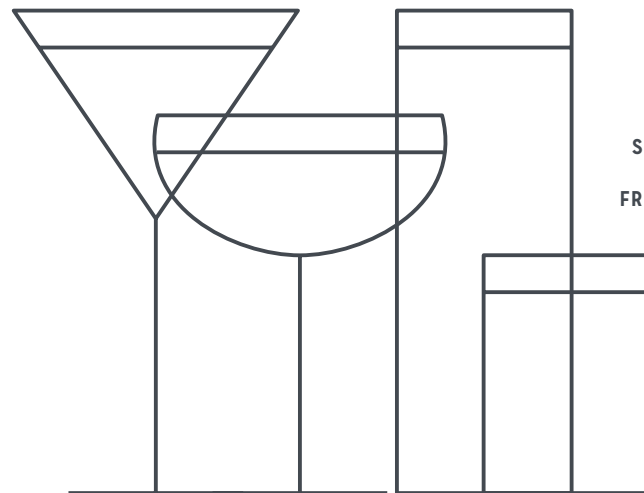
Avua Amburana cachaca, Don Q Coco, Shrub District lime shrub,
orgeat, brown sugar peach syrup, egg white, soda

Melon DeGeneres

Bimini hopped gin, sour watermelon, Plymouth sloe gin, Aperol,
basil drizzle



KINDRED
SPIRITS
STICK
TOGETHER



SIP & SAVOR
THE VIEW
FROM UP HERE